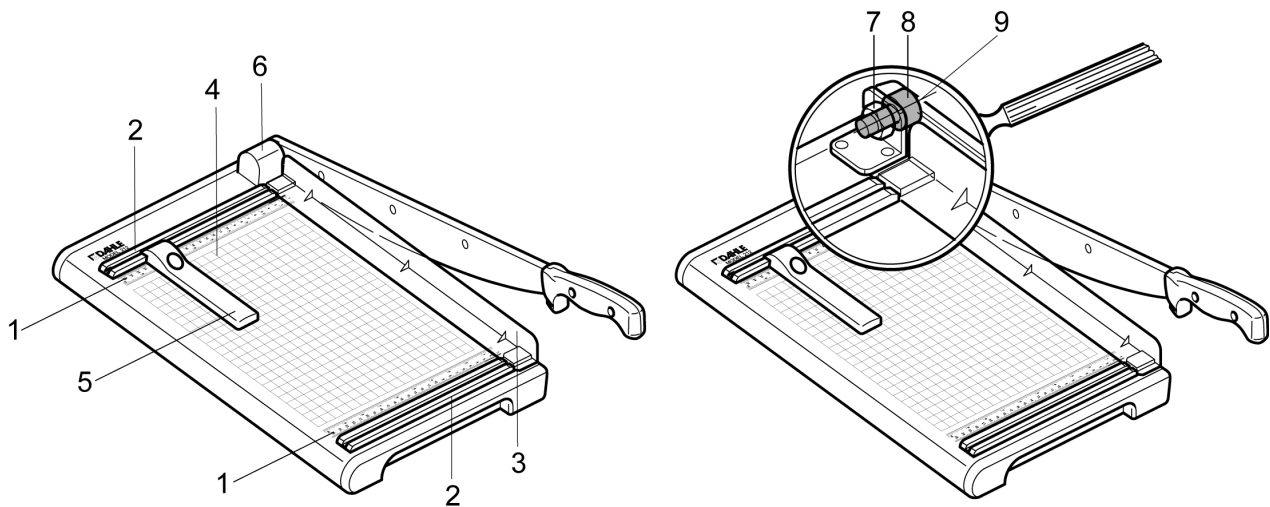


# PROFESSIONAL GUILLOTINE

## Models 212, 215, 218



Thank you for selecting a Dahle Paper cutter. We are confident that you will be highly satisfied with this purchase. Dahle paper cutters are highly regarded for their precision, reliability and durability. All Dahle paper cutters are individually tested and meet the most stringent performance standards.

Please observe the following instructions for the best results and workplace safety:

- Your paper cutter is equipped with two lateral scales printed in inches and centimetres (1). In addition the table area is marked with a ½" grid (4), which acts as an excellent visual aid to achieve an accurate cut.
- Insert the material underneath the clamp / safety guard (3)
- Align the material at the desired position with the help of the inch/cm scale (1) and the two paper stops (2). The backstop (5) is adjustable by pressing down the red button and moving it to the desired position. This is especially recommended if material has to be cut several times to the exact same size.
- Press the material down with the clamp (3). The clamp will hold the material in position, preventing slippage. While clamping the material, lower the blade and press it gently towards the cutting board, thereby ensuring that a consistent and smooth cut is achieved even with very thin material.

### MAINTENANCE

**Blade** - The blade should never descend by itself. If it moves too easily, it can be adjusted with the bolt assembly located at the fulcrum (9). In order to do so, remove the cover (6) by pulling it forward. Then tighten the hex nut (7) and the screw (8) in a counter-action, thus adjusting the pressure of the upper blade against the lower one. After that put the cover (6) back in place.

**Cutting Board Surface** - The cutting board should be cleaned periodically, or as often as required, in order to keep its original lustre. A mild general purpose cleaner is recommended.

### LUBRICATION

The blades of your Dahle paper cutter were lubricated at the factory and do not require any additional treatment. Do **not** lubricate the cutting blades.

### CAUTION

- Keep your fingers clear of the cutting blades.
- Do not lubricate the cutting blades.
- Keep the paper cutter out of the reach of children.
- Keep the handle in the closed position when not in use or while transporting.



Dahle North America, Inc.  
375 Jaffrey Road, Peterborough, NH 03458  
Tel: (603) 924-0003 • Fax: (603) 924-1616  
Email: shredders@dahle.com  
www.dahle.com

00533.92.0830 - 05/04